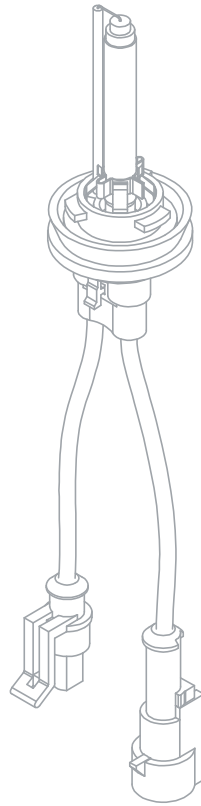




THE AUTOMOTIVE LIGHTING BENCHMARK

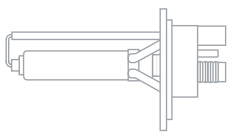
FOR BULB SIZES:

D2H
5202
880
9005
9006
9012
H1
H3C
H7
H11A
H11B/H9/H8
H10/9145

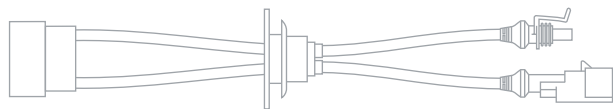


INSTALLATION GUIDE

H-SERIES BULBS



1x



1x



WARNING: By reading this document, I agree it is only to be used as an educational guide. Morimoto Lighting makes no guarantee on any finished results, nor are they to be held responsible for any damage, misuse, or personal injuries. Use at your own risk. If you are unable to clearly understand and adapt the information below to your own application, professional installation is recommended.



CAUTION: HOT!



HANDLE ONLY WITH
BLACK PLASTIC BASE



NOTE: Be mindful that there are two types of installations with H-Series bulbs: EXTERNALLY and INTERNALLY wired. The installation guides that follow will cover both types.

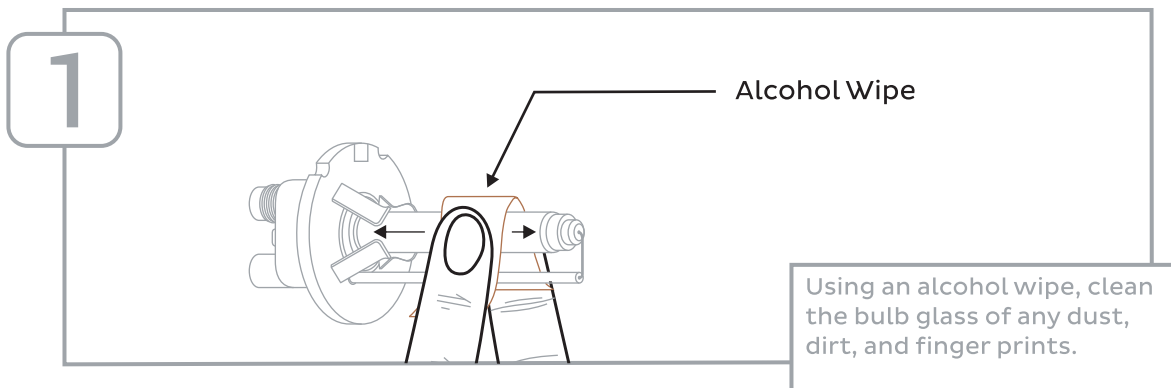
EXTERNALLY-WIRED

You can access the bulb from the back of the headlight without removing any caps or covers. Wiring for the bulb is visible and accessible outside of the housing.

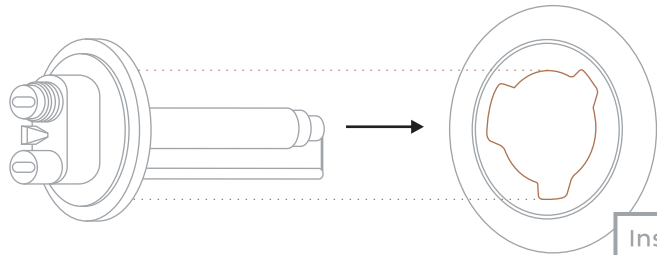
INTERNALLY-WIRED

You must first remove a cap (generally plastic) to access the bulb. Inside the housing, there is wiring going to the bulb.

STEP BY STEP - EXTERNALLY-WIRED

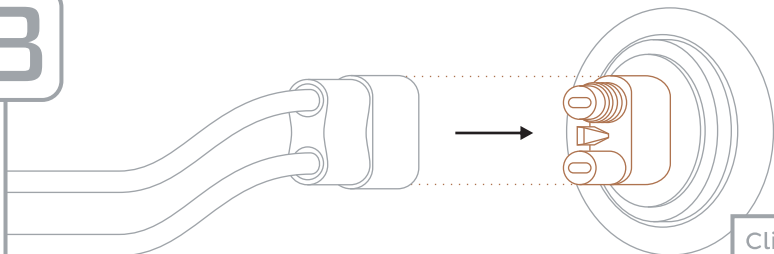


2



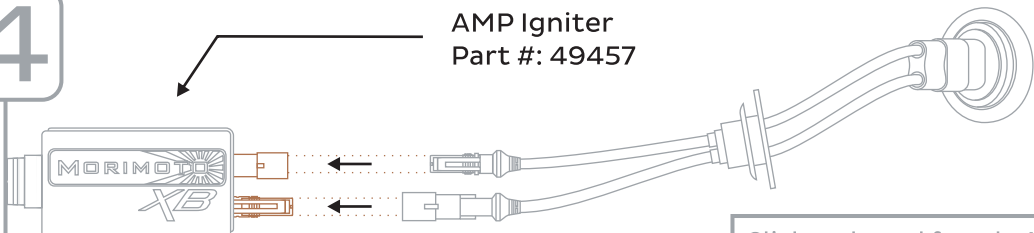
Install bulb into housing, replacing the stock halogen bulb.

3



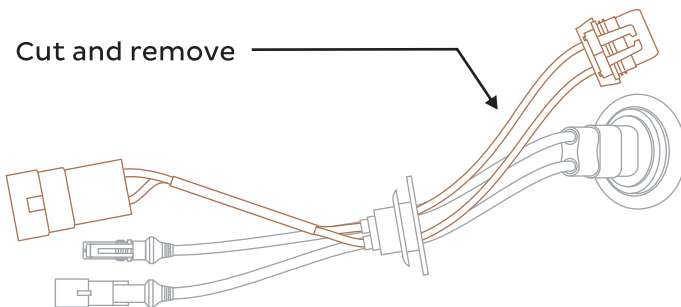
Click bulb wire connection onto bulb. Ensure side tab is fully latched.

4



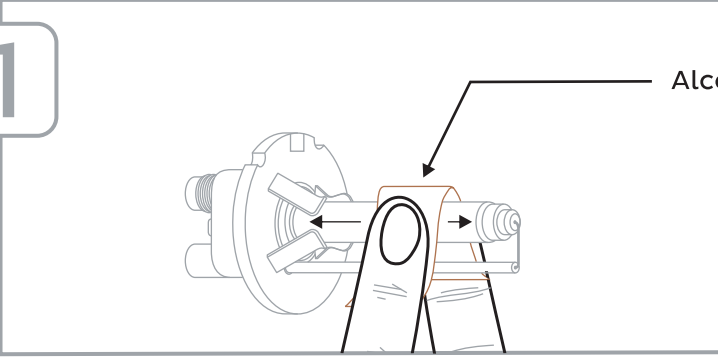
Click male and female AMP connectors into igniter. Ensure tabs are fully latched.

5



STEP BY STEP - INTERNALLY-WIRED

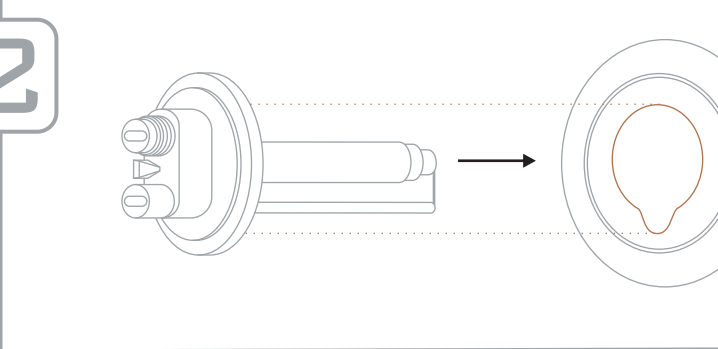
1



Alcohol Wipe

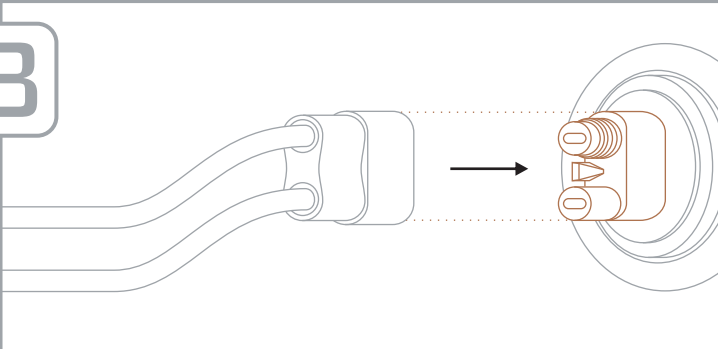
Using an alcohol wipe, clean the bulb glass of any dust, dirt, and finger prints.

2



Install bulb into housing, replacing the stock halogen bulb.

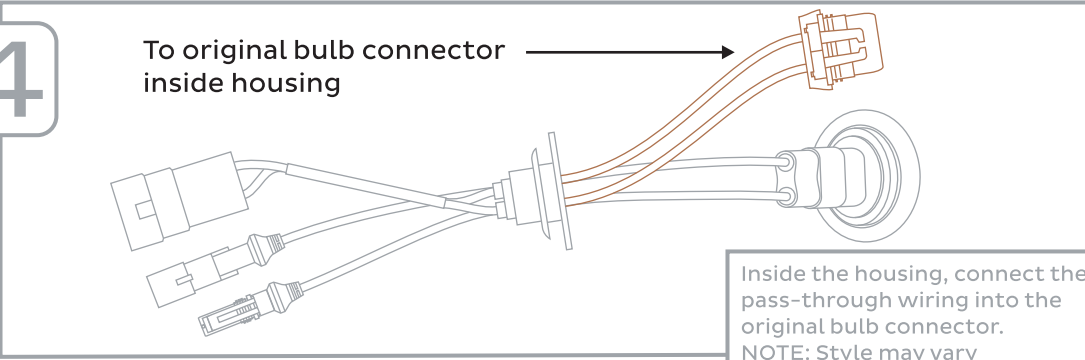
3



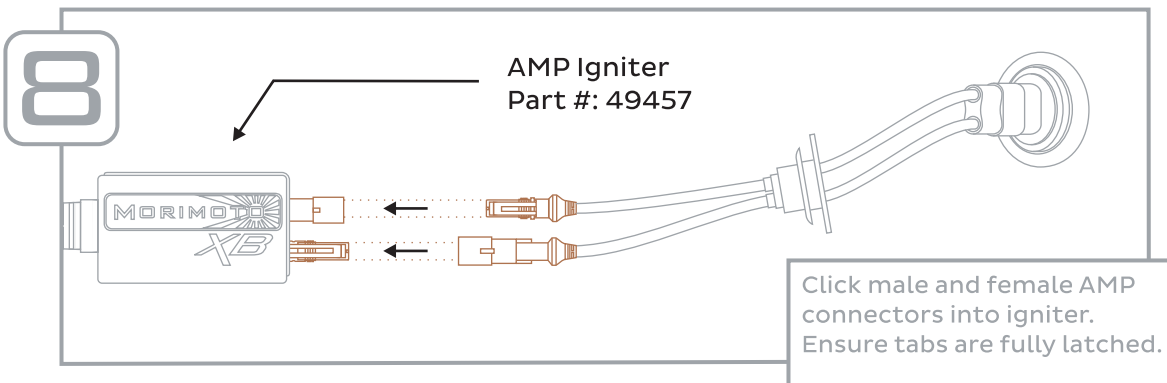
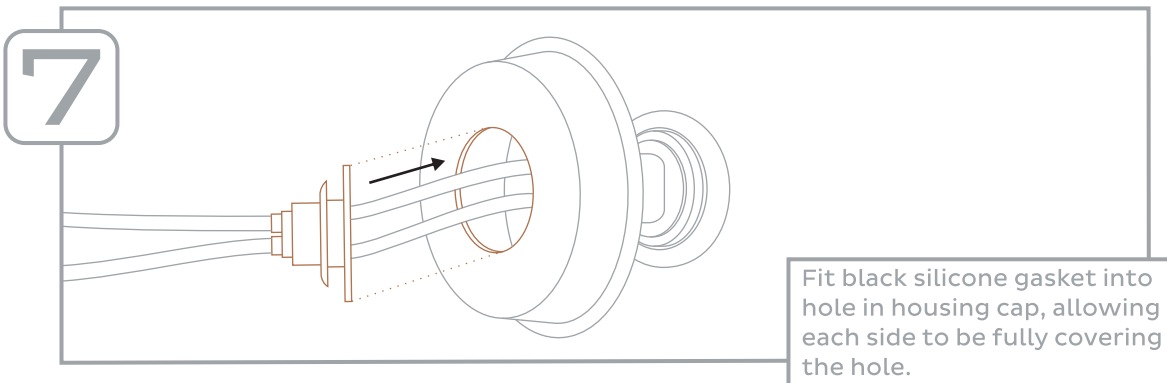
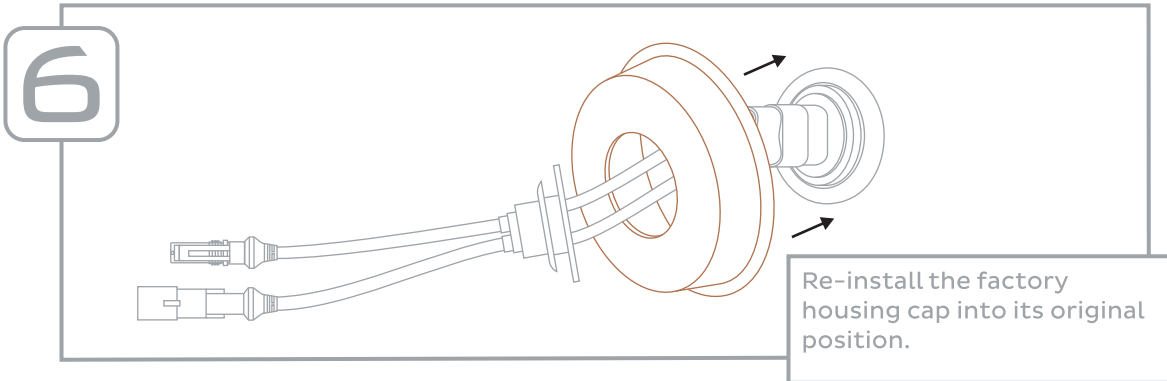
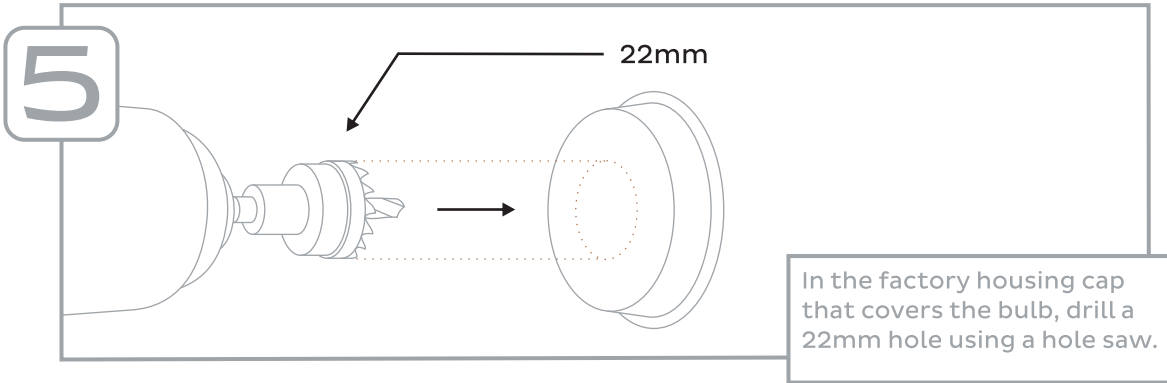
Click bulb wire connection onto bulb. Ensure side tab is fully latched.

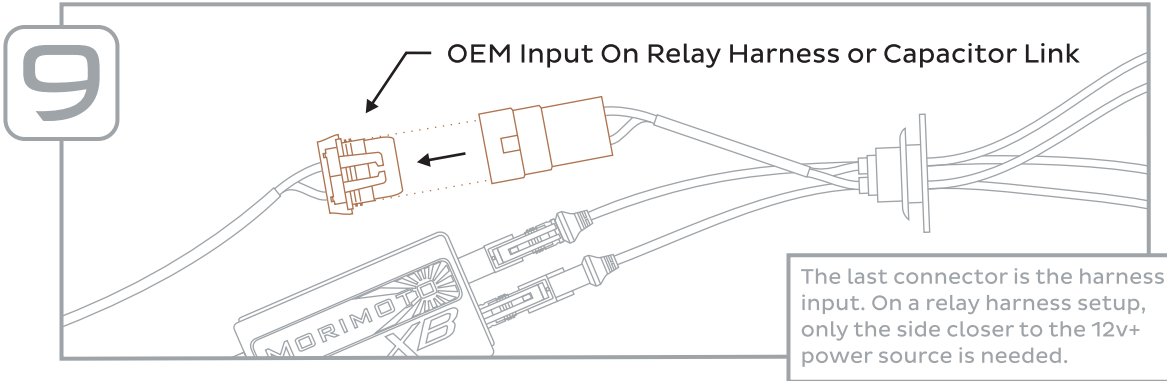
4

To original bulb connector inside housing



Inside the housing, connect the pass-through wiring into the original bulb connector.
NOTE: Style may vary





-END-